

Swivel Clamp Connectors

Aluminum

SPECIFICATION

Types

- Type **OZ**: Without centering step (smooth)
- Type **MZ**: With centering step
- Type **AV**: With external serration
- Type **IV**: With internal serration

Identification No.

No. **2**: With stainless steel socket cap screw DIN 912

Aluminum

- Powder coated
Black, RAL 9005, textured finish **SW**
- Plain, matte shot-blasted **BL**

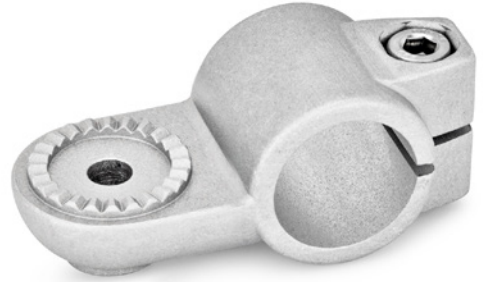
Socket cap screws DIN 912

Stainless Steel AISI 304

Hex nuts DIN 985

Stainless Steel AISI 304

Self-locking via polyamide ring



INFORMATION

The clamping bore of swivel clamp connectors GN 278 is mechanically machined and designed for construction tubes GN 990 (see page 1902) or DIN 2391, DIN 2395 and DIN 2462.

At the screw location **z**, the socket cap screw reduces the bore cross-section for clamping. For clamping without tools, the socket cap screw can be replaced by an adjustable hand lever GN 911 (see page 1874) listed in the table as accessory.

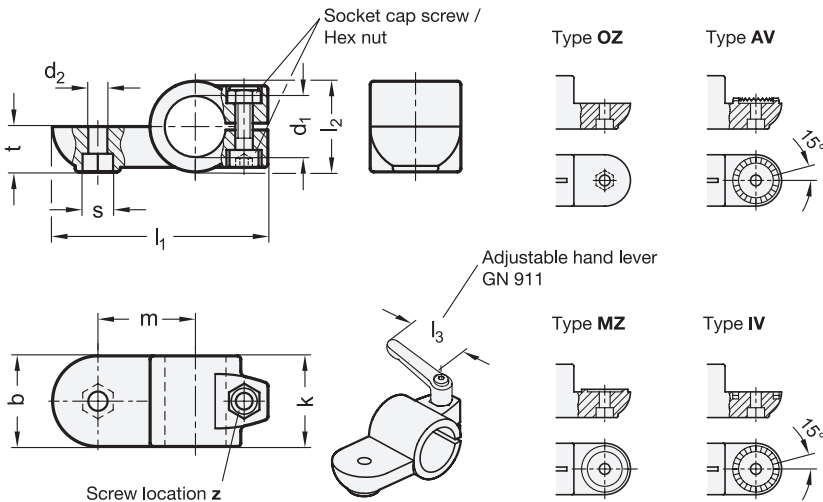
Swivel clamp connectors GN 278 can be combined with swivel clamp connectors GN 272 (see page 1848), GN 274 (see page 1850) or GN 276 (see page 1852) to swivel clamp connector joints.

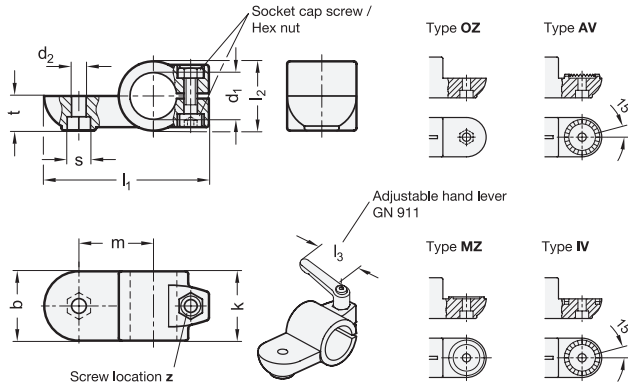
ACCESSORY

- Adjustable Hand Levers GN 911 (see page 1874)

TECHNICAL INFORMATION

- Stainless Steel Characteristics (see page A26)





* Complete with
SW BL
 RAL9005 Plain

GN 278-OZ

Description	d1 Bore	b	d2	k	l1	l2	m	s	t	z Screw location	Accessory Recom. hand lever GN 911 for z l3	⚖️
GN 278-B20-OZ-2-*	B 20	40	8.5	40	95	40	43	13	20	M8-25	-	185
GN 278-B25-OZ-2-*	B 25	40	8.5	40	95	40	43	13	20	M8-25	63 78	170
GN 278-B30-OZ-2-*	B 30	40	8.5	40	95	40	43	13	20	M8-25	63 78	145
GN 278-B40-OZ-2-*	B 40	65	10.5	65	148	65	70	17	32.5	M10-50	92 -	705
GN 278-B42-OZ-2-*	B 42	65	10.5	65	148	65	70	17	32.5	M10-50	78 92	675
GN 278-B45-OZ-2-*	B 45	65	10.5	65	148	65	70	17	32.5	M10-50	78 92	645
GN 278-B48-OZ-2-*	B 48	65	10.5	65	148	65	70	17	32.5	M10-50	78 92	610
GN 278-B50-OZ-2-*	B 50	65	10.5	65	148	65	70	17	32.5	M10-50	78 92	585

GN 278-MZ

Description	d1 Bore	b	d2	k	l1	l2	m	s	t	z Screw location	Accessory Recom. hand lever GN 911 for z l3	⚖️
GN 278-B20-MZ-2-*	B 20	40	8.5	40	95	40	43	13	20	M8-25	-	182
GN 278-B25-MZ-2-*	B 25	40	8.5	40	95	40	43	13	20	M8-25	63 78	170
GN 278-B30-MZ-2-*	B 30	40	8.5	40	95	40	43	13	20	M8-25	63 78	145
GN 278-B40-MZ-2-*	B 40	65	10.5	65	148	65	70	17	32.5	M10-50	92 -	695
GN 278-B42-MZ-2-*	B 42	65	10.5	65	148	65	70	17	32.5	M10-50	78 92	675
GN 278-B45-MZ-2-*	B 45	65	10.5	65	148	65	70	17	32.5	M10-50	78 92	645
GN 278-B48-MZ-2-*	B 48	65	10.5	65	148	65	70	17	32.5	M10-50	78 92	605
GN 278-B50-MZ-2-*	B 50	65	10.5	65	148	65	70	17	32.5	M10-50	78 92	575

GN 278-AV

Description	d1 Bore	b	d2	k	l1	l2	m	s	t	z Screw location	Accessory Recom. hand lever GN 911 for z l3	⚖️
GN 278-B20-AV-2-*	B 20	40	8.5	40	95	40	43	13	20	M8-25	-	190
GN 278-B25-AV-2-*	B 25	40	8.5	40	95	40	43	13	20	M8-25	63 78	169
GN 278-B30-AV-2-*	B 30	40	8.5	40	95	40	43	13	20	M8-25	63 78	150
GN 278-B40-AV-2-*	B 40	65	10.5	65	148	65	70	17	32.5	M10-50	92 -	690
GN 278-B42-AV-2-*	B 42	65	10.5	65	148	65	70	17	32.5	M10-50	78 92	675
GN 278-B45-AV-2-*	B 45	65	10.5	65	148	65	70	17	32.5	M10-50	78 92	640
GN 278-B48-AV-2-*	B 48	65	10.5	65	148	65	70	17	32.5	M10-50	78 92	600
GN 278-B50-AV-2-*	B 50	65	10.5	65	148	65	70	17	32.5	M10-50	78 92	580

GN 278-IV

Description	d1 Bore	b	d2	k	l1	l2	m	s	t	z Screw location	Accessory Recom. hand lever GN 911 for z l3	⚖️
GN 278-B20-IV-2-*	B 20	40	8.5	40	95	40	43	13	20	M8-25	-	182
GN 278-B25-IV-2-*	B 25	40	8.5	40	95	40	43	13	20	M8-25	63 78	160
GN 278-B30-IV-2-*	B 30	40	8.5	40	95	40	43	13	20	M8-25	63 78	142
GN 278-B40-IV-2-*	B 40	65	10.5	65	148	65	70	17	32.5	M10-50	92 -	685
GN 278-B42-IV-2-*	B 42	65	10.5	65	148	65	70	17	32.5	M10-50	78 92	665
GN 278-B45-IV-2-*	B 45	65	10.5	65	148	65	70	17	32.5	M10-50	78 92	620
GN 278-B48-IV-2-*	B 48	65	10.5	65	148	65	70	17	32.5	M10-50	78 92	585
GN 278-B50-IV-2-*	B 50	65	10.5	65	148	65	70	17	32.5	M10-50	78 92	565

Weight SW

